

# SOCRATES Series

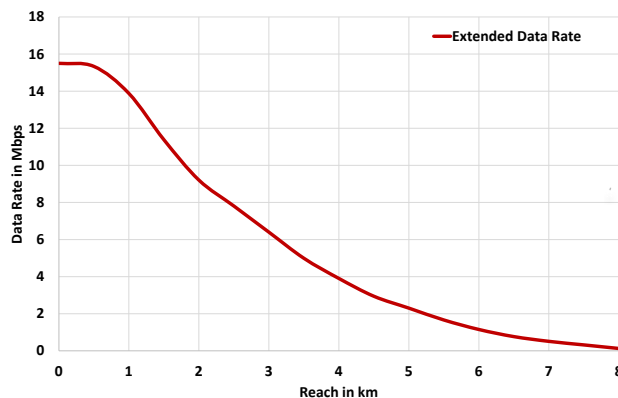
## SHDSL.EVB.1CH

### SHDSL Applications and Benefits

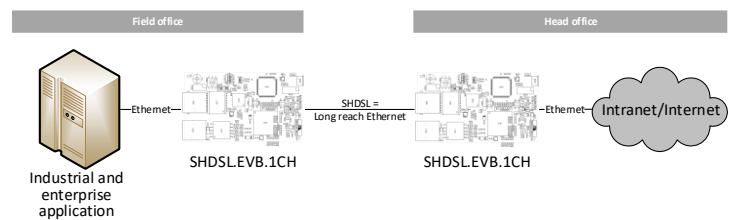
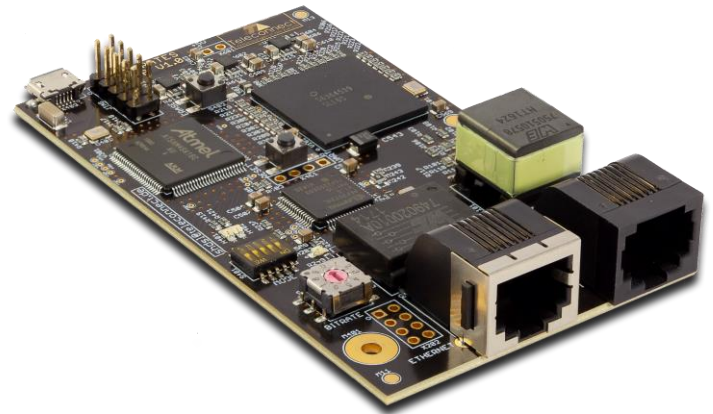
Nothing beats SHDSL when it comes to high data rate requirements on long copper loops. Many new communication challenges across the telecom, industrial and smart city markets require robust broadband connections over long distances. Designers are turning to SHDSL for new applications such as: surveillance cameras, vending machines, public displays, traffic control and industrial communication.

### 15 Mbps or 8 Kilometers

- The MaxLinear SHDSL Chipset supports up to 15 Mbps
- Customers using MaxLinear SHDSL Chipset in the field have achieved broadband speeds at distances over 8 km



Rate/Reach Performance Measurement of MaxLinear SHDSL Chipset. Extended Data Rate, cross-talk-cancelled, standard twisted copper pair phone cables, no alien noise



### SHDSL-EFM Modem

- Single channel MaxLinear SHDSL Chipset transceiver
- Selectable bitrate (including auto mode)
- Use as EFM Modem, SHDSL-EFM-Module or Plug & Play Ethernet Extender
- USB EIA232 emulation or TTL compatible EIA232 interface
- Basic on-board evaluation software

### Engineering Services/ Project Support

- Free EAGLE EVB schematics and PCB design
- Attractive pricing for software licenses
- Hard- and software customization
- System integration and adaptation
- Performance and compliance testing

### Available Software Services and Features

- Basic status interface
- Advanced command line interface
- SHDSL standard and extended bitrates
- Power Measurement Modulation Session (PMMS) for Line Probing
- Emergency freeze, test modes
- Advanced SHDSL state machine
- Configuration export and import, presets
- Basic ATM interworking
- Basic networking, telnet- and webserver for remote management
- Software license for binary or source code

**More engineering services, software features and options on request!**

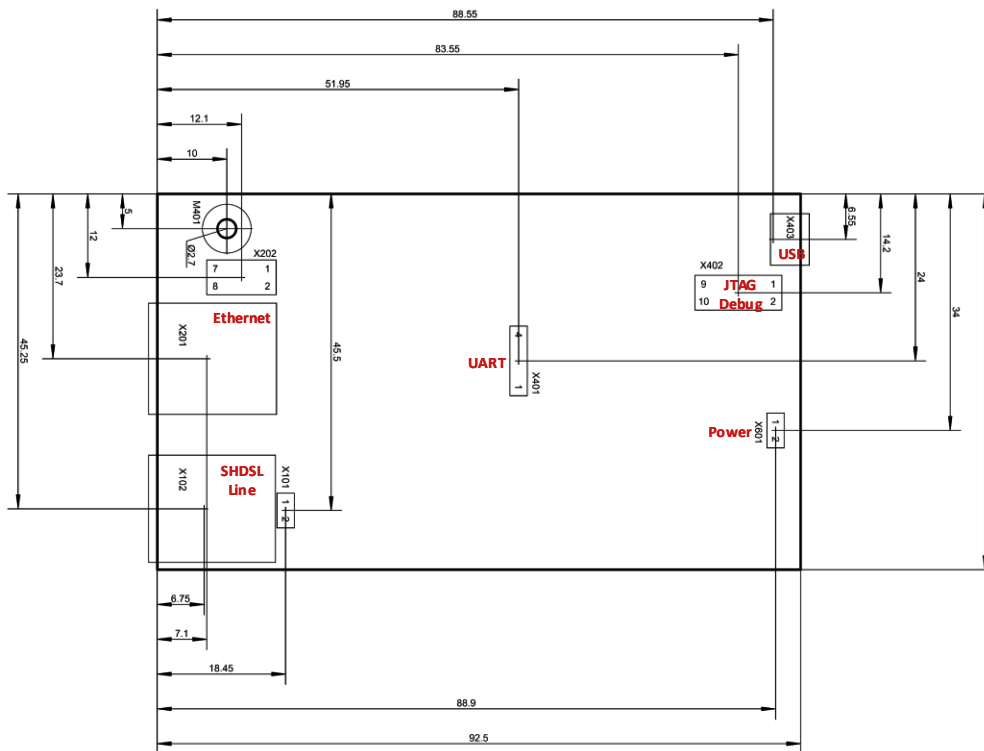
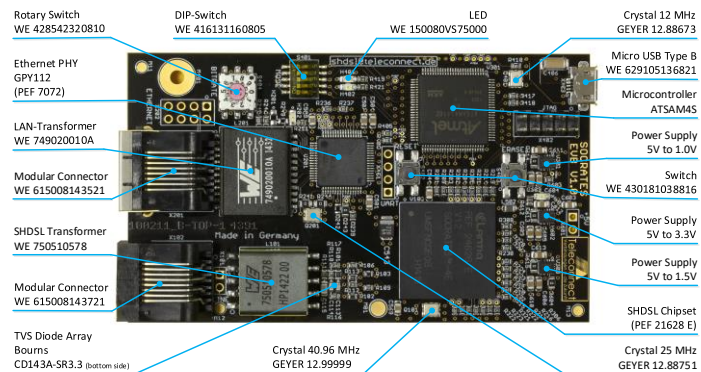
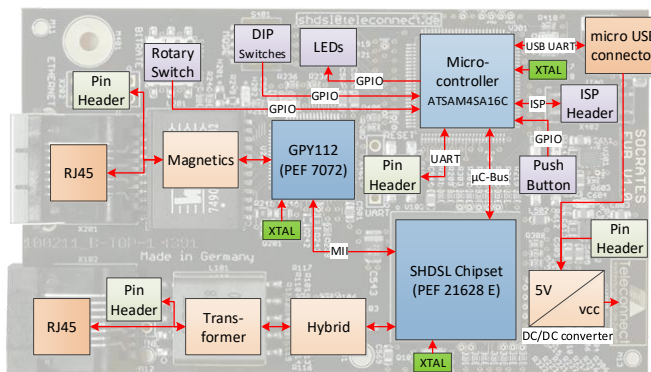
# SOCRATES Series

## SHDSL.EVB.1CH

### Specifications

Dimensions (L x W x H)	92.5 x 54 x 17 mm
Weight	36 g
Connector	RJ45 for SHDSL, RJ45 for Ethernet
xDSL chipset	MaxLinear SHDSL Chipset (PEF 21628 E)
Supported standards	ETSI SDSL, ETSI SDSL.bis, IEEE EFM, ITU G.shdsl, ITU G.shdsl.bis, ITU G.hs
Supported unit modes	STU-C / CO and STU-R / CPE
Power supply	+5V via Micro USB connector
User interfaces	TTL compatible RS232/ EIA232 interface and emulation via USB
Protection	no on board primary protection, only secondary protection
Temperature range	-40°C to +85°C

Also available as 4 channel version (SHDSL.EVB.4CH).



Available from our partners:



Teleconnect GmbH  
Am Lehmberg 54  
01157 Dresden  
Germany

shdsl@teleconnect.de  
Tel. +49 351 4236 210  
http://www.teleconnect.de